

The DHR series pumps are horizontal, multistage, centrifugal and no self priming.
All the rotating parts in contact with the pumped liquid are in stainless steel.

- **RELIABLE AISI 304 STAINLESS STEEL CONSTRUCTION**
- **COMPACT, SMALL IN SIZE**
- **DESIGNED FOR MINIMAL ELECTRICAL CONSUMPTION AND QUIET OPERATION**

New!



Applications

- Pumping and distribution of water in domestic systems used on a continuous or intermittent basis
- Booster systems
- Washing systems, garden irrigation, fountains

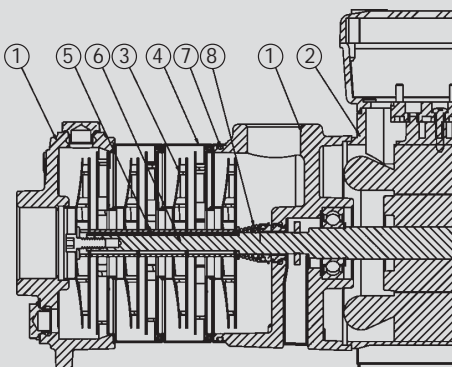
Motor features

- Asynchronous electric motor with enclosed stator and external ventilation
- Single phase models with enclosed capacitor start/run and thermal protector in motor winding
- Three phase motors with thermal protection to be installed by user
- Class F insulation
- Protection level IP54
- Maximum ambient temperature 50 °C
- Continuous duty

Usage limitations

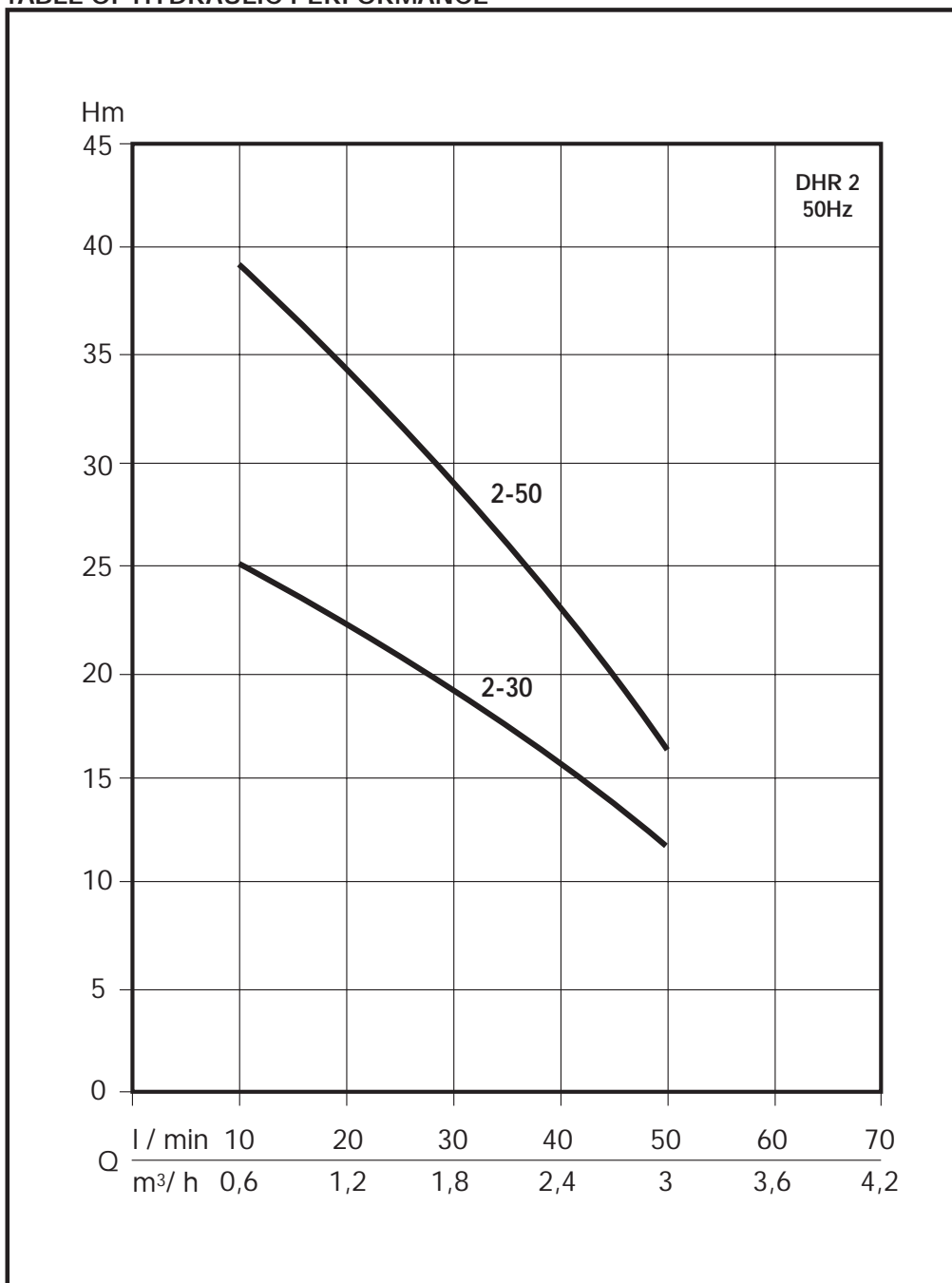
- Type of liquid: clean water with no suspended solids or abrasive material
- Maximum liquid temperature 90°C
- Maximum recommended suction height: 6 m with foot valve (with max. liquid temp. at 50°C)
- Maximum operating pressure: 10 bar (with 50°C liquid temperature) 6 bar (with 90°C liquid temperature)

DESIGN FEATURES



Component	Material
1 Pump Casings	GJL-200 (ASTM Class 35) cast iron
2 Motor Casing	Diecast aluminum
3 Impeller	X5CrNi18-10 (AISI 304) stainless steel
4 Diffuser	X5CrNi18-10 (AISI 304) stainless steel
5 Pump Sleeve	X5CrNi18-10 (AISI 304) stainless steel
6 Shaft	X5CrNi18-10 (AISI 304) stainless steel
7 Seals / Gaskets	NBR
8 Mechanical seal	Ceramic / Graphite / NBR

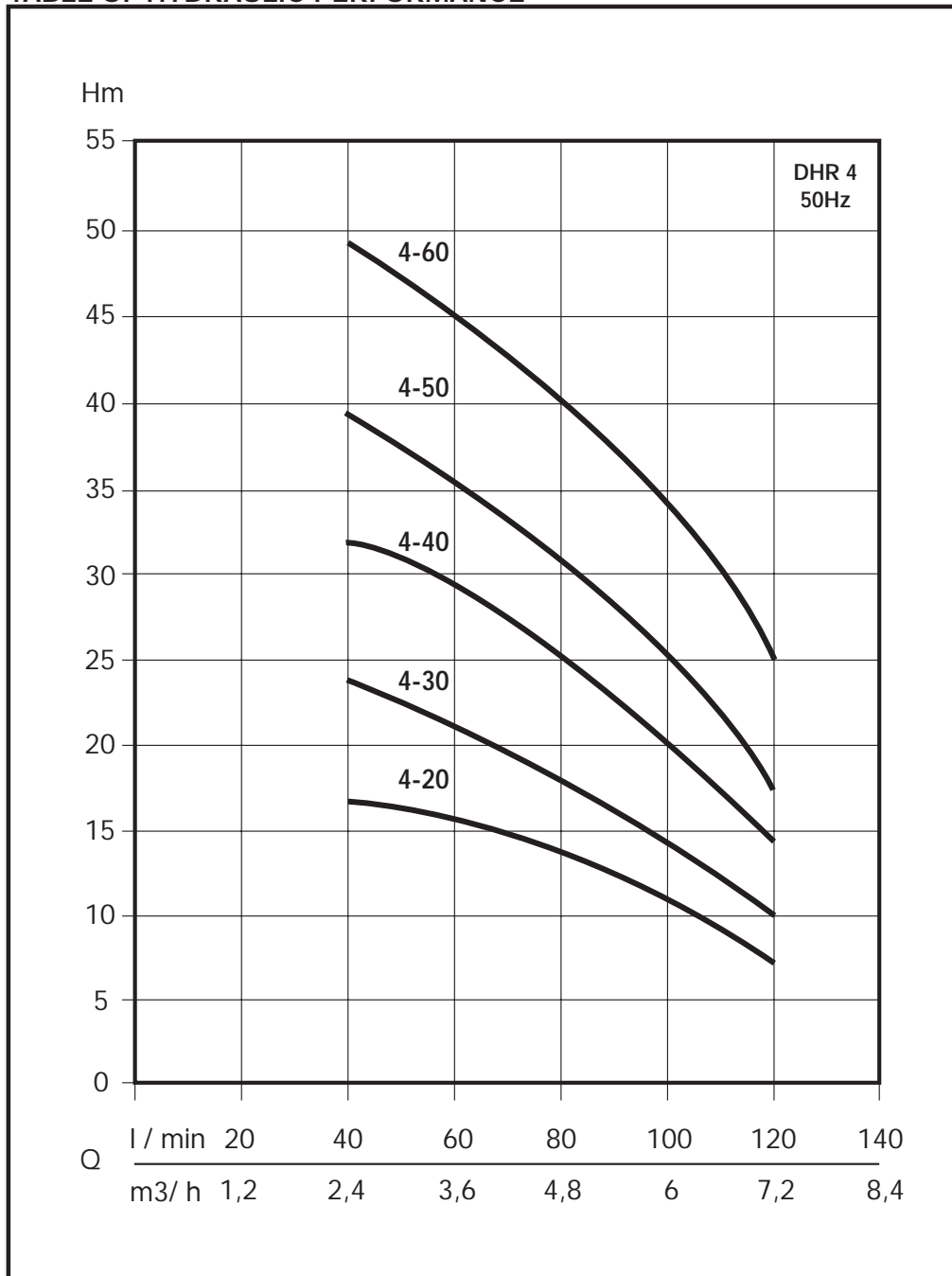
TABLE OF HYDRAULIC PERFORMANCE



PUMP PERFORMANCE

CODE	MODEL	Nominal power P2		Absorbed power P1		VOLTAGE	Amp.	µF.	Q	Discharge head in meters				
		HP	kW	HP	kW					L/1'	10	20	30	40
E9302103	DHR 2-30 M	0,40	0,30	0,7	0,52	1 - 230 V	2,6	12,5	Discharge head in meters	10	20	30	40	50
E9301003	DHR 2-30 T	0,40	0,30	0,67	0,50	3 - 230/400 V	1,9-1,1	-		0,6	1,2	1,8	2,4	3
E9302105	DHR 2-50 M	0,70	0,50	1,00	0,75	1 - 230 V	3,5	12,5		25	22,5	19	16	12
E9301005	DHR 2-50 T	0,70	0,50	1,00	0,75	3 - 230/400 V	2,5-1,8	-		39	34,5	29,5	23	16,5

TABLE OF HYDRAULIC PERFORMANCE



PUMP PERFORMANCE

CODE	MODEL	Nominal power P2		Absorbed power P1		VOLTAGE	Amp.	μF.	Q	Discharge head in meters						
		HP	kW	HP	kW					L/1'	40	50	60	80	100	120
										m ³ /h	2,4	3	3,6	4,8	6	7,2
E9402102	DHR 4-20 M	0,50	0,37	0,80	0,60	1 ~ 230 V	2,9	12,5	Discharge head in meters	17	16	15,5	13,5	11	7,5	
E9401002	DHR 4-20 T	0,50	0,37	0,78	0,58	3 ~ 230/400 V	2,1-1,2	-		23,5	22,5	21	18	14	10	
E9402103	DHR 4-30 M	0,70	0,50	1,10	0,80	1 ~ 230 V	3,7	12,5		32	30,3	29	25	20	14	
E9401003	DHR 4-30 T	0,70	0,50	1,05	0,78	3 ~ 230/400 V	2,6-1,5	-		39	38	35	31	25	17	
E9402104	DHR 4-40 M	0,95	0,70	1,34	1,00	1 ~ 230 V	4,5	16		49	47	45	40,6	34,2	25	
E9401004	DHR 4-40 T	0,95	0,70	1,34	1,00	3 ~ 230/400 V	3,3-2,0	-								
E9402105	DHR 4-50 M	1,20	0,90	1,68	1,25	1 ~ 230 V	5,8	20								
E9401005	DHR 4-50 T	1,20	0,90	1,60	1,20	3 ~ 230/400 V	3,5-2,1	-								
E9402106	DHR 4-60 M	1,50	1,10	2,15	1,60	1 ~ 230 V	7,7	31,5								
E9401006	DHR 4-60 T	1,50	1,10	2,00	1,50	3 ~ 230/400 V	5,9-3,4	-								

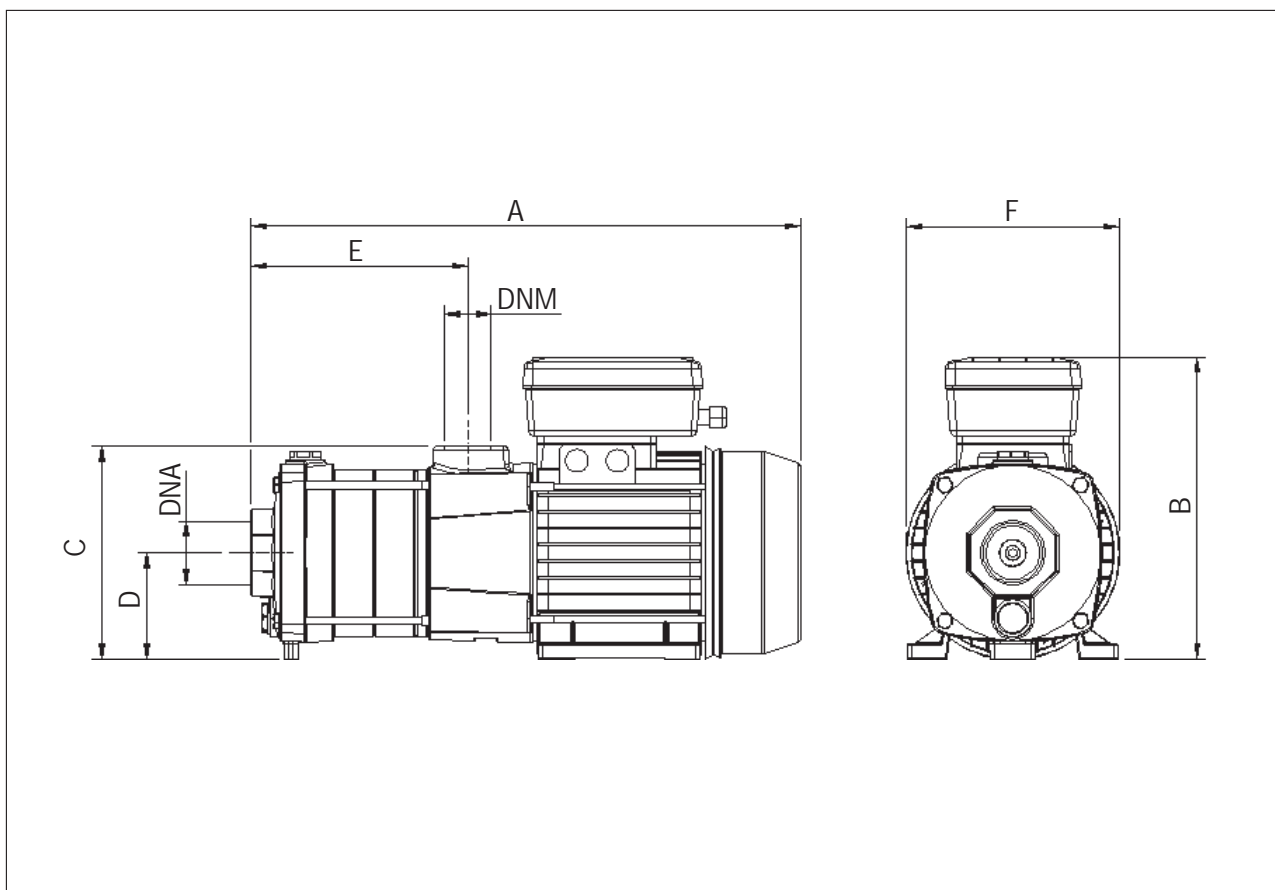
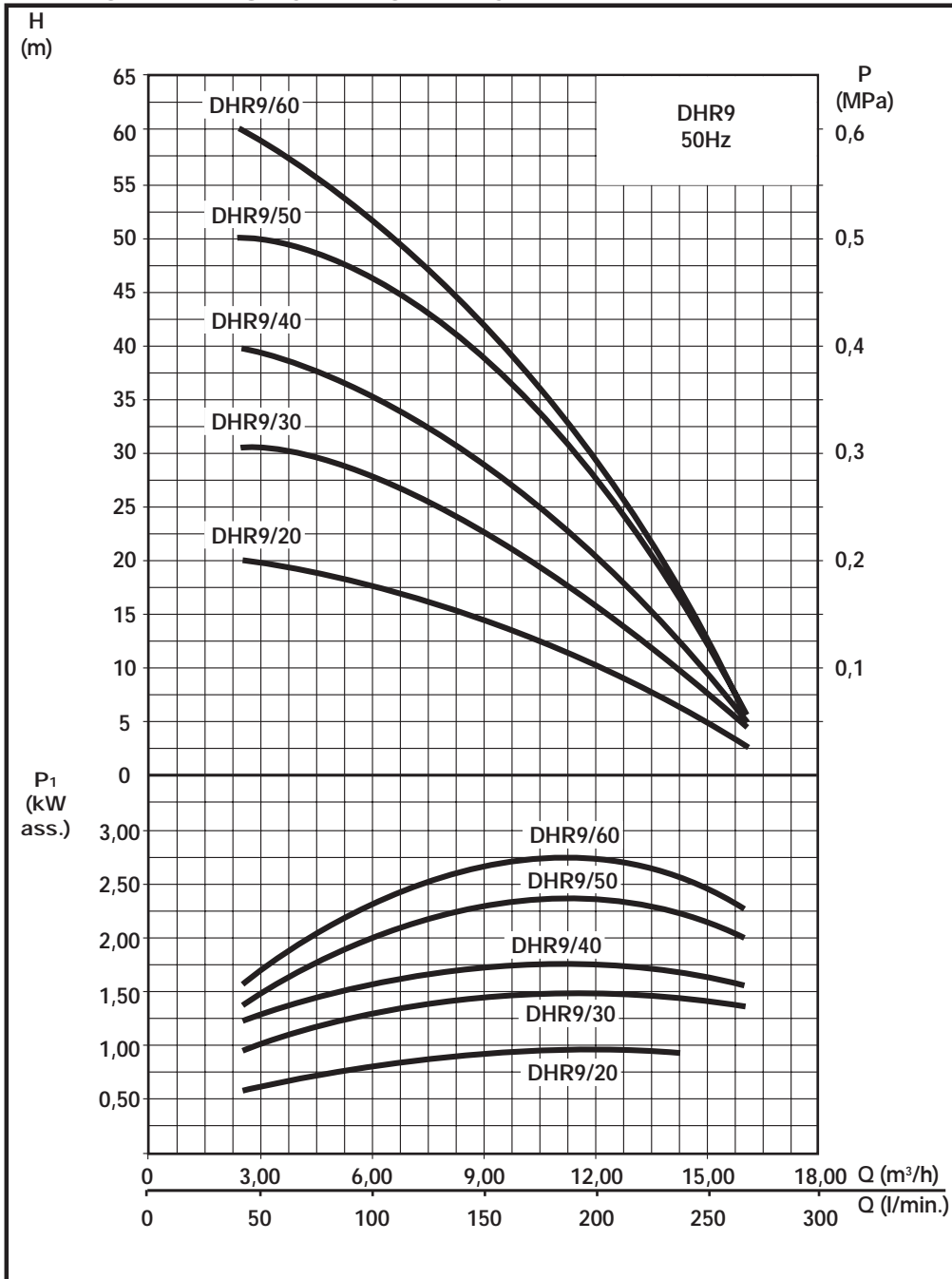


TABLE OF SIZES AND WEIGHTS

Model	Dimensions mm								Weight
	A	B	C	D	E	F	DNA	DNM	kg
DHR 2-30 M/T	326	205/190	137,5	71	105	142	1"	1"	10,2
DHR 2-50 M/T	362	205/190	137,5	71	141	142	1"	1"	11,5
DHR 4-20 M/T	339	205/190	137,5	71	119	142	1" 1/4	1"	10,5
DHR 4-30 M/T	339	205/190	137,5	71	119	142	1" 1/4	1"	10,7
DHR 4-40 M/T	366	205/190	137,5	71	146	142	1" 1/4	1"	12
DHR 4-50 M/T	394	205/190	137,5	71	173	142	1" 1/4	1"	13,9
DHR 4-60 M/T	445	230/209	149	80	200	160	1" 1/4	1"	17

TABLE OF HYDRAULIC PERFORMANCE



PUMP PERFORMANCE

CODE	MODEL	Nominal Power		Absorbed Power		VOLTAGE	Amp.	µF.	Q	Discharge head in meters						
		HP	kW	HP	kW					40	80	120	160	200	240	260
E9502102	DHR9 - 20 M	0,87	0,65	1,34	1	1 ~ 230 V	4,5	20	Discharge head in meters	2,4	4,8	7,2	9,6	12	14,4	15,6
E9501002	DHR9 - 20 T	0,87	0,65	1,21	0,9	3 ~ 230 ÷ 400 V	3 - 1,7			20	18,5	16,3	13,2	9,2	4,5	2,5
E9502103	DHR9 - 30 M	1,27	0,95	1,88	1,4	1 ~ 230 V	6	25		31	29,3	25,8	21,3	15,6	9	4,7
E9501003	DHR9 - 30 T	1,27	0,95	1,81	1,35	3 ~ 230 ÷ 400 V	4,4 - 2,5			31	29,3	25,8	21,3	15,6	9	4,7
E9502104	DHR9 - 40 M	1,74	1,3	2,41	1,8	1 ~ 230 V	8	31,5		40	37,5	33	27	19	10	5,1
E9501004	DHR9 - 40 T	1,74	1,3	2,15	1,6	3 ~ 230 ÷ 400 V	5,3 - 3			40	37,5	33	27	19	10	5,1
E9502105	DHR9 - 50 M	2,15	1,6	2,95	2,2	1 ~ 230 V	10	35		50,6	48,5	43	35,5	26	14	6
E9501005	DHR9 - 50 T	2,15	1,6	2,68	2	3 ~ 230 ÷ 400 V	6,1 - 3,5			50,6	48,5	43	35,5	26	14	6
E9501006	DHR9 - 60 T	2,55	1,9	3,35	2,5	3 ~ 230 ÷ 400 V	7,9 - 4,5			60	55,7	49	40,1	28,8	14,4	6,1

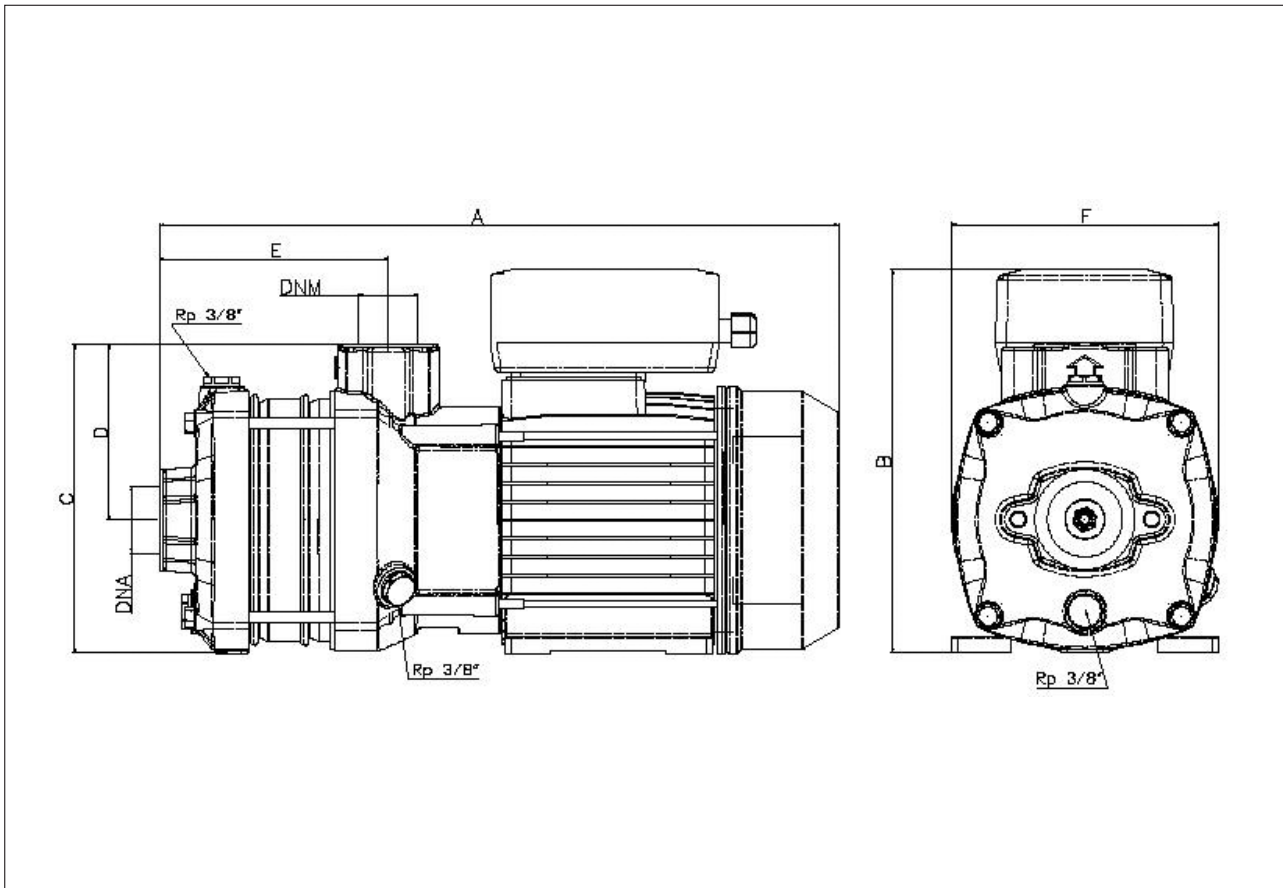


TABLE OF SIZES AND WEIGHTS

Model	Dimensions mm.						DNA	DNM	Net Weight kg
	A	B	C	D	E	F			
DHR 9 - 20 T	378	196	185	105	107	160	1"1/2	1"1/4	17,5
DHR 9 - 20 M	378	227	185	105	107	160	1"1/2	1"1/4	18,8
DHR 9 - 30 T	378	196	185	105	107	160	1"1/2	1"1/4	18,7
DHR 9 - 30 M	378	227	185	105	107	160	1"1/2	1"1/4	19
DHR 9 - 40 T	408	196	185	105	137	160	1"1/2	1"1/4	20
DHR 9 - 40 M	408	227	185	105	137	160	1"1/2	1"1/4	22
DHR 9 - 50 T	438	196	185	105	168	160	1"1/2	1"1/4	22,5
DHR 9 - 50 M	438	227	185	105	168	160	1"1/2	1"1/4	23,5
DHR 9 - 60 T	468	196	185	105	198	160	1"1/2	1"1/4	24,1