

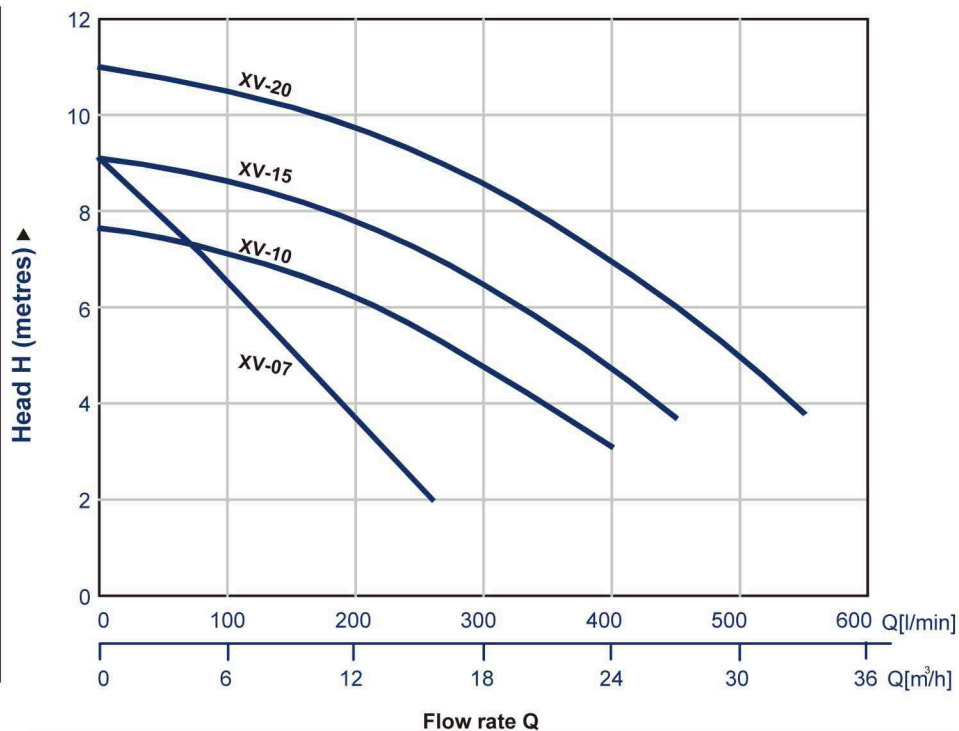
General Data/Material



Operating Conditions	Applications	Emptying of septic tanks and residential sumps.
	Fluid Temperature	0 to 35°C
Motor	Type	Dry Type
	Pole	2-pole
	Insulation	Class F
	Protection	IP68
	Protection Device	Thermal Protector (single phase)
Pump	Impeller	Vortex Impeller
	Shaft Seal/Material	Single Mechanical Seal
	Bearing	Double-shielded Ball Bearing

Component	Material
Cable	H07RN-F
Handle	AISI 304+Nylon
Motor Cover	AISI 304
Motor Housing	AISI 304
Fixing Ring	AISI 304
Pump Casing	AISI 304
Mechanical seal	Sic/Sic/NBR
Impeller	AISI 304
Key	AISI 304
Support Foot	AISI 304
Oil Seal	NBR
Shaft	AISI 304
V-type Axial Oil Seal	NBR
Suction flange	AISI 304

Characteristic curves N= 2850 rpm

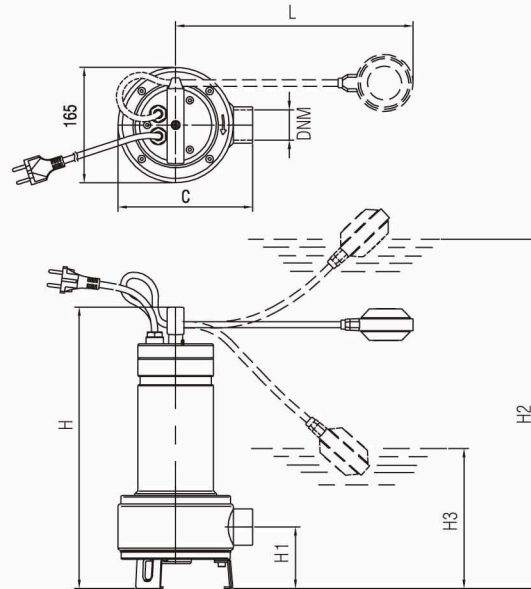


Specifications

Model	Power HP (kW)	Discharge inch	Phase	Standard		Max		Solid Passage mm	Cable M
				Head M	Capacity LPM	Head M	Capacity LPM		
XV-07	0.75(0.55)	RP 1 1/2"	1 ϕ /3 ϕ	7.1	80	9.1	260	35	5
XV-10	1.0(0.75)	RP 2"	1 ϕ /3 ϕ	7.1	100	7.7	400	50	10
XV-15	1.5(1.1)	RP 2"	1 ϕ /3 ϕ	8.6	100	9.1	450	50	10
XV-20	2.0(1.5)	RP 2"	3 ϕ	10.2	150	11	550	50	10

Auto Float Switches are available in Single-phase

Dimensions and Weights



SINGLE-PHASE

Model	Dimension (mm)							
	H	H1	H2	H3	L	C	DNM	N.W. kg
XV-07	403	88	483	185	350	193	RP1 1/2"	11
XV-10	486	111.5	566	268	350	198	RP 2"	14
XV-15	486	111.5	566	268	350	198	RP 2"	15

THREE-PHASE

Model	Dimension (mm)				
	H	H1	C	DNM	N.W. kg
XV-07	403	88	193	RP1 1/2"	11
XV-10	436	111.5	198	RP 2"	12
XV-15	486	111.5	198	RP 2"	14
XV-20	486	111.5	198	RP 2"	15